

# 1000 $\mu$ L Extended Plus Pipette Tips

Compatibility with Different  
Laboratory Vessels



## Product Information

The new 1000  $\mu$ L Extended Plus pipette tip, measuring 119 mm, is the longest 1000  $\mu$ L tip available on the market. It is 47.5 mm longer and has a narrower form compared to the standard Sartorius Optifit 1000  $\mu$ L pipette tip. The tip is available in two variants: Optifit (without filter) and Safetyspace<sup>®</sup> (with filter).

## Benefits

The 1000  $\mu$ L Extended Plus pipette tip is an extra-long and slim pipette tip designed to reach the bottom of long and narrow vessels. Its extended length reduces sample loss by enabling access to the bottom of deep vessels. Additionally, the slim design minimizes the risk of contamination by preventing contact with the vessel walls during pipetting. These tips are compatible with a wide range of vessels.

## Use Cases for 1000 $\mu$ L Extended Plus Pipette Tips:

- **Long and Narrow Vessels:** Reduces the risk of cross-contamination as the pipette body does not enter the vessel.
- **Small Volumes in Long Tubes:** Ideal for precise pipetting in long tubes.
- **Resuspension in Long Tubes:** Useful for resuspending pelleted cells or DNA in long tubes.
- **Deep-Well Plates:** Minimizes the risk of displacing liquid when pipetting large volumes (>500  $\mu$ L) into deep-well plates.
- **Microtubes:** Reduces the risk of spilling when pipetting or resuspending large volumes (>800  $\mu$ L) into 1.5 mL Microtubes.
- **Cross-Contamination:** Large gap between the pipette cone and the liquid inside the tip minimizes contamination risk.
- **Different Liquid Phases:** Effective for collecting samples through different liquid phases, such as isolating PBMCs with Ficoll-Paque™.

Figure 1 illustrates example vessels that are well-suited for use with the 1000  $\mu$ L Extended Plus pipette tips.

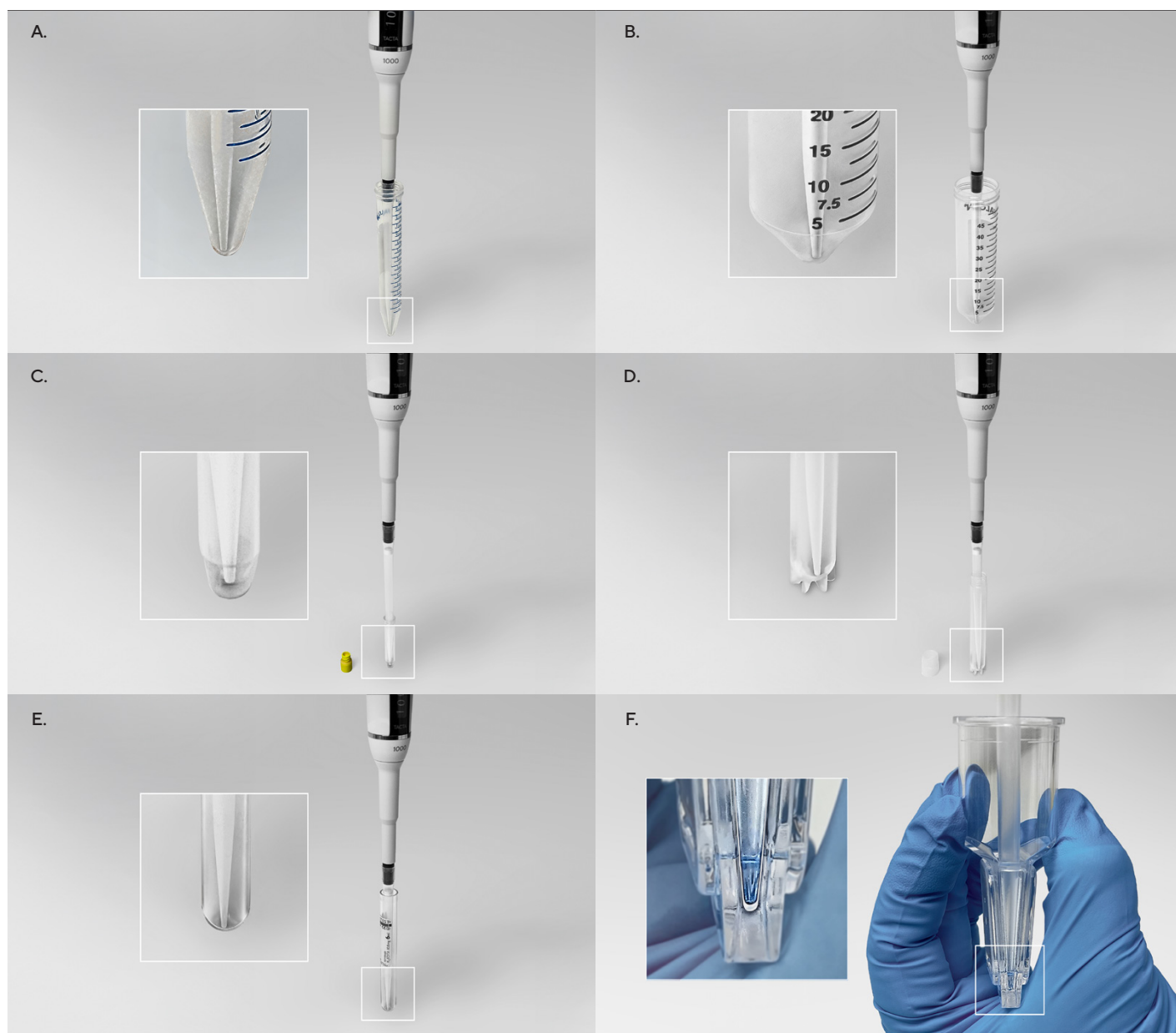
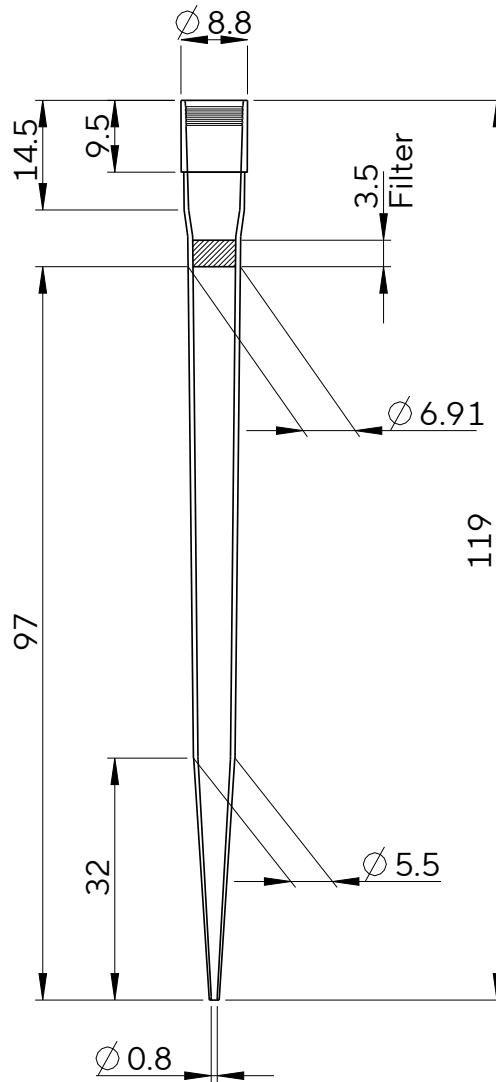


Figure 1. Compatibility of the 1000  $\mu$ L Extended Plus pipette tips. A) 15 mL conical tube, B) 50 mL conical tube, C) 1 mL Matrix tube, D) 4 mL cryovial, E) 6 mL EDTA tube, and F) Vivaspin RC 15 device.

# Technical Specifications

A dimensional drawing of the 1000  $\mu$ L Extended Plus pipette (Safetyspace<sup>®</sup> variant) is seen in Figure 2. The drawing depicts real tip dimensions.



**Figure 2.** The dimensional drawing of the Safetyspace<sup>®</sup> 1000  $\mu$ L Extended Plus pipette tip. Illustration depicts the real tip dimensions (in mm). The diameters shown are outer diameters, except for the tip orifice (at the narrowest end of the tip), where the inner diameter is indicated

## Ordering Information

Three variants of the 1000  $\mu$ L Extended Plus tips are available. All variants are free from RNase, DNase, human DNA, and endotoxin. Two of the variants are pre-sterilized, with one featuring a Safetyspace<sup>®</sup> filter.


Order No.	RNase, DNase, human DNA & endotoxin free	Presterilized	Safetyspace <sup>®</sup> filter
LH-X791000	Yes	No	No
LH-X791001	Yes	Yes	No
LH-XF791001	Yes	Yes	Yes

**Germany**

Sartorius Lab Instruments GmbH & Co. KG  
Otto-Brenner-Strasse 20  
37079 Goettingen  
Phone +49 551 308 0

**USA**

Sartorius Corporation  
3874 Research Park Dr.  
Ann Arbor, MI 48108  
Phone +1 734 769 1600

 For further information, visit  
[www.sartorius.com](http://www.sartorius.com)