

Thermo Scientific

Environmental Chamber

Heratherm

EIS, EIG, ESS, ESG, ECS, ECG

250

Shelving System

Stainless Steel Perforated Shelves

Wire Mesh Shelves

Reinforced Shelves

334254I02_Rev. A

May 2025

Installation Instructions

Supplement to Operating Instructions 334786I01



CAUTION These installation instructions are a supplement to the original operating instructions and are only valid in conjunction with them. The original operating instructions must be read and understood before installation and operation.

Note Observe the installation instructions of the shelves and shelf supports as described in the original operating instructions for the environmental chambers.

Order Numbers

Perforated Stainless Steel Shelf Kit 250L	333947
Wire Mesh Shelf Kit 250L	333949
Reinforced Shelf Kit 250L	333951
Set with two perforated shelves 250L	333385

Perforated Stainless Steel Shelf Kit

Scope of Delivery

Components	Quantity
Perforated Stainless Steel Shelf	1/2 ^a
Shelf Supports	2/4 ^a
Installation Instructions	1

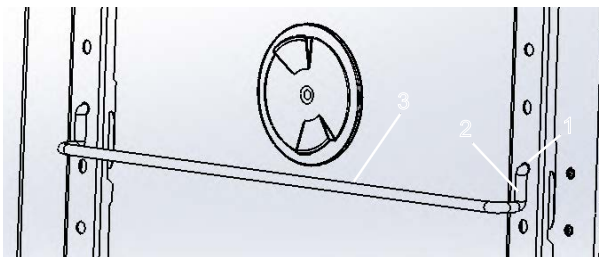
^aDepending on the order.

Installation

Note The shelves can be installed at any height in the environmental chamber.

Note Make sure that the guides on both sides are at the same height so that the installed shelf is horizontal.

Shelf Supports



1	Perforation support rail
2	Vertical elements shelf support
3	Shelf support shelf guide

Figure 1-1. Installing the shelf support without shaker option

1. Insert the shelf support into the perforations [1] of the wall mounted rails with the bar [3] facing down
2. Make sure that the two vertical elements [2] of the shelf support are flush with the wall mounted rail.

Shelf

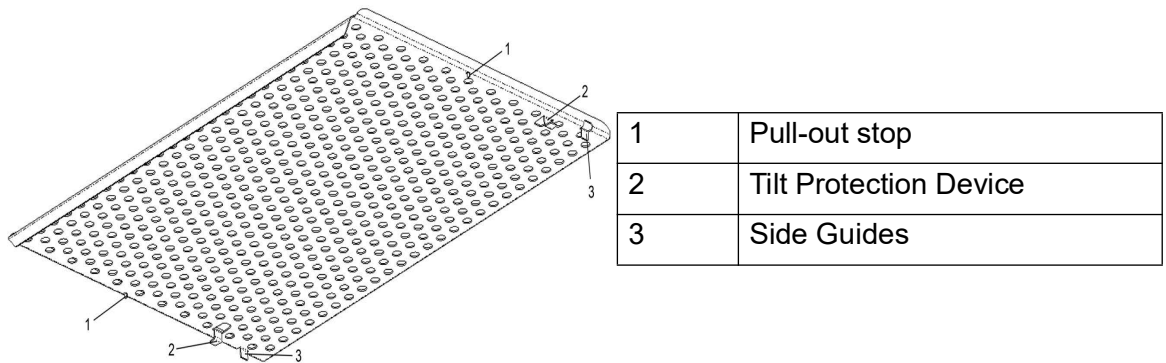


Figure 1-2. Perforated Stainless Steel

1. Slide the shelves with the tilt protection device [2] ahead onto the shelf support. The tilt protection is also used as a guide for the shelf.
2. Slightly raise the perforated sheet shelf so that the pull-out stop [1] can be routed over the shelf supports.
3. Make sure that the shelf support is positioned in the two tilt protections in a way that allows it to move freely.

Wire Mesh Shelf Kit

Scope of Supply

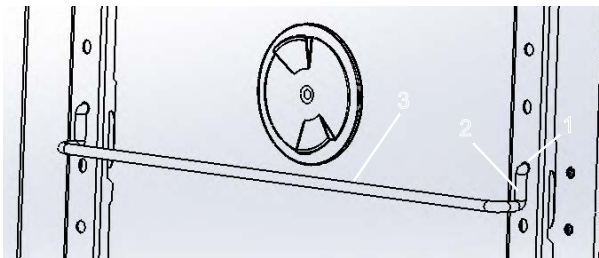
Components	Quantity
Wire Mesh Shelf	1
Shelf Supports	2
Installation Instructions	1

Installation

Note The shelves can be installed at any height in the environmental chamber.

Note Make sure that the guides on both sides are at the same height so that the installed shelf is horizontal.

Shelf Supports

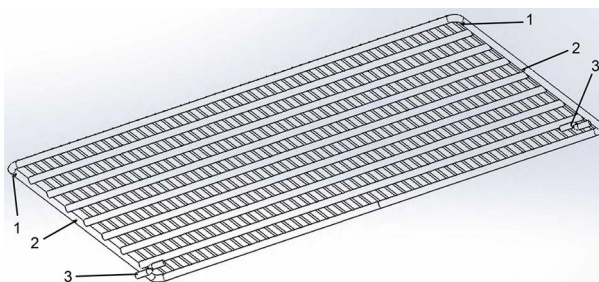


1	Perforation support rail
2	Vertical elements shelf support
3	Shelf support shelf guide

Figure 1-3. Installing the shelf support without shaker option

1. Insert the shelf support into the perforations [1] of the wall mounted rails with the bar [3] facing down
2. Make sure that the two vertical elements [2] of the shelf support are flush with the wall mounted rail.

Shelf



1	Push-in stop
2	Pull-out stop
3	Tilt Protection Device

Figure 1-4. Wire Mesh Shelf

1. Push the wire mesh shelf onto the shelf supports with the tilt protection [3] devices facing the rear panel of the environmental chamber. The tilt protection devices also serve as guides for the wire mesh shelves.
2. Slightly raise the wire mesh shelf so that the pull-out stops [2] can slide over the shelf supports.
3. Make sure that the shelves and both of their tilt protection devices are free to move over the shelf supports.

Reinforced Shelf Kit

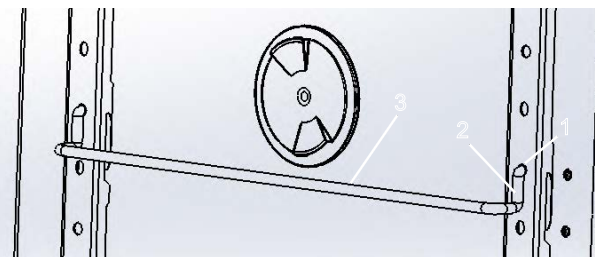
Scope of Delivery

Components	Quantity
Reinforced Shelf	1
Shelf Supports	2
Installation Instructions	1

Installation

- Note** The shelves can be installed at any height in the environmental chamber.
- Note** Make sure that the guides on both sides are at the same height so that the installed shelf is horizontal.

Shelf Supports

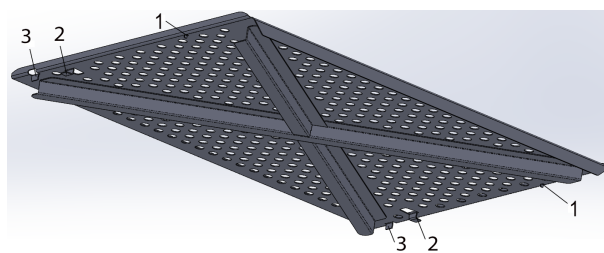


1	Perforation support rail
2	Vertical elements shelf support
3	Shelf support shelf guide

Figure 1-5. Installing the shelf support

1. Insert the shelf support into the perforations [1] of the wall mounted rails with the bar [3] facing down
2. Make sure that the two vertical elements [2] of the shelf support are flush with the wall mounted rail.

Shelf



1	Push-in stop
2	Pull-out stop
3	Tilt Protection Device

Figure 1-6. Reinforced Shelf

1. Slide the shelves with the tilt protection device [3] ahead onto the shelf support. The tilt protection is also used as a guide for the shelf.
2. Slightly raise the reinforced shelf so that the pull-out stop [2] can be routed over the shelf supports.
3. Make sure that the shelf support is positioned in the two tilt protections in a way that allows it to move freely.

Leveling the Device



WARNING

The unit may only be used resting on its feet!

1. Place a spirit level on one of the shelves in the environmental chamber.
2. Rotate the adjustable device stands using a 36 mm (1.41 inch) wrench until the shelf is positioned horizontally in all directions. Perform the height adjustment of the device stands from left to right and from rear to front.